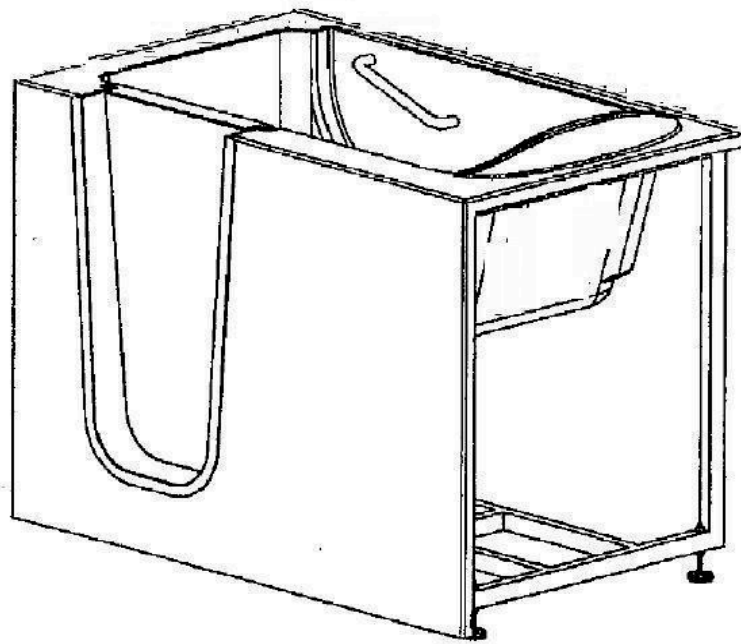


sanctuary

walk-in bathtubs

Important Installation Guide & Operating Instruction



To be removed for use by the occupant

Packing Slip

Included:

1. Faucets & Valves
2. Riser Rod
3. Shower Rod & Curtain
4. Grab Bar
5. Quick Hose
6. Front Access Panel
7. Suction Cup (to remove front access panel)
8. Clips
9. Extension Box
10. End Panel (depending on application)

Not Included: Should be purchased or obtained separately

1. 1.5" tube to connect quick drain vent
2. 1" hole saw to mount faucets
3. Recommended .5" threaded washing machine lines for faucets
4. Recommended 4 feet of 1.5" hard pipe to run from drain to drain
5. 1.5" 90 degree elbow- threaded on 1 side (for the drain)
6. 2 self tapping screws to mount air pump (also can be mounted to the floor)
7. 2 tubes of calking
8. Bonding material to bond the frame of the tub to the floor. It is recommended that all 4 corners of the tub be mounted to the floor after leveled.

AmeriGlide takes pride in making sure quality and serenity is met for all users.
We thank you for your purchase.

Unpacking the Unit

1. Unpack and inspect the Walk- in Bathtub thoroughly for freight damages even when it's not visible. If there is any noticeable damage please note it and report it to the freight company as soon as possible.
2. AmeriGlide's responsibility for shipping damages ceases upon delivery of the Walk-in bathtub in good order of the carrier.
3. Never lift the tub by its plumbing fixtures. Lift the tub by its stainless steel frame.
4. Once the Walk- in Bathtub is installed, the surface damaged would be responsible by the installer.
5. Inspect the plumbing for any fittings that may have loosened in transit.
6. You must follow all instructions in this manual. Failure to read and comply with all instructions can result in product damage or injury to both installer and homeowner. It will also result in assumption of all liability to the installer.
7. The access panels are held on by magnets. Remove these by using the orange suction cups on the panel and put the panel in a safe place until the installation is complete.

Responsibilities of the Installer

1. The installer must inspect and water-test the tub before installation.
2. Installer is responsible for any local codes that may apply.
3. Installers assume all liability for the correct installation procedures.
4. Only accessories approved by AmeriGlide should be used with this product.
5. **WARNING!** All instructions listed in this manual should be read and followed carefully.
6. Children or people with infirmities must not be permitted to use this product without close and continuous supervision.

General Guidelines

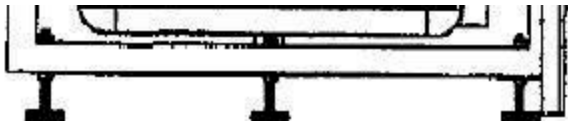
1. To avoid injury, use caution when entering or exiting.
2. Never drop or insert any objects into any openings.
3. Do not operate the bathtub without the guard over any suction fittings.
4. **WARNING!** Do not use electrical appliances within 4 feet of the bathtub.
5. The anti-slip floor must remain clean at all times to minimize the risk of slippage.
6. Avoid the use of alcohol, prescription and over-the-counter medications and sleep medication prior to or during the use of your Walk-in Bathtub.
7. Consult your physician before using the whirlpool and/or air massage system.
8. The Walk-in Bathtub must be fully tested by the installer before installation.
9. **DO NOT** drill any holes in the tub - this will void the warranty. Only use caulk.

Pre-Installations Checklist

1. All Sanctuary Walk-in Bathtubs are tested and operated in our factory prior to shipment. Transportation and mishandling may cause leaks. It is therefore necessary to test the Walk-in Bathtub while there is access to all sides of the Walk-in Bathtub.
2. Test the bathtub outside by filling it with a garden hose.
 - a. Place bathtub on a flat surface where water can drain.
 - b. With a clean rag wipe down the seal.
 - c. Seal drain hole with a plug or tape over the drain.
 - d. Fill the bathtub with water to the overflow and let it sit for 10 minutes and inspect for leaks.
 - e. If your Walk-in Bathtub is Air Jetted or Water Jetted operate all electrical components for another 10 minutes and then check for leaks again.
 - f. Make sure all jets are open and operational at all speeds.
 - g. **WARNING!** Do not run any pumps unless the Bathtub is filled with water to the proper level. Damage due to dry operation of pumps is not covered under the warranty.
 - h. **FAILURE to perform these tests before installation will make the installer liable.**
3. If you are using a quick drain - you must purchase **plumber's wax** to seal the drain from odor and/or backup.
4. You will need **silicone caulk** to attach end panel/extension panel to tub.
5. May need to trim extension panels to fit into stall.

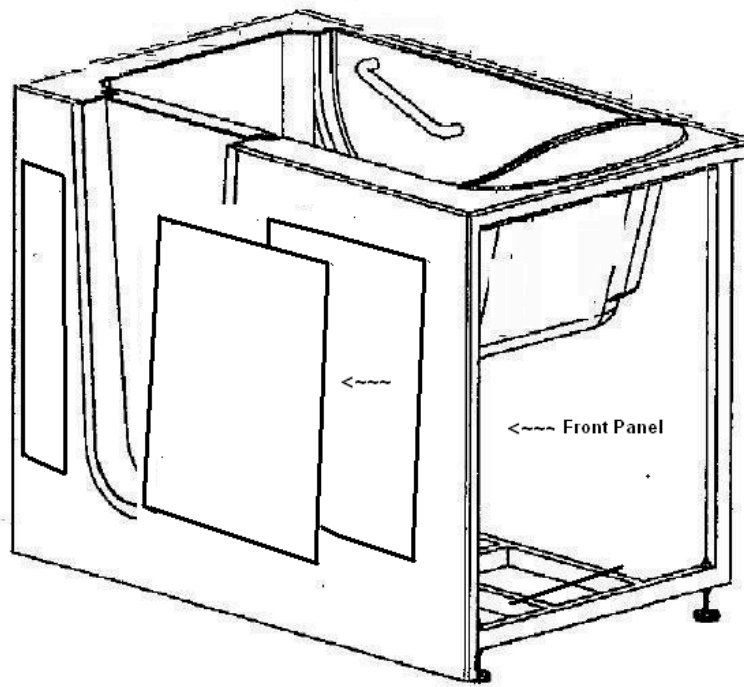
Preparing the Area

1. Remove the existing tub, the wall, and floor materials as required.
2. Use 5 foot leveler to determine if the floor is leveled.
3. All feet on the Walk-in Bathtub need to be touching the floor and leveled for the door to work properly with no leaks.
4. Start by leveling the outside 4 legs then the 2 legs in the center of the Walk-in Bathtub.

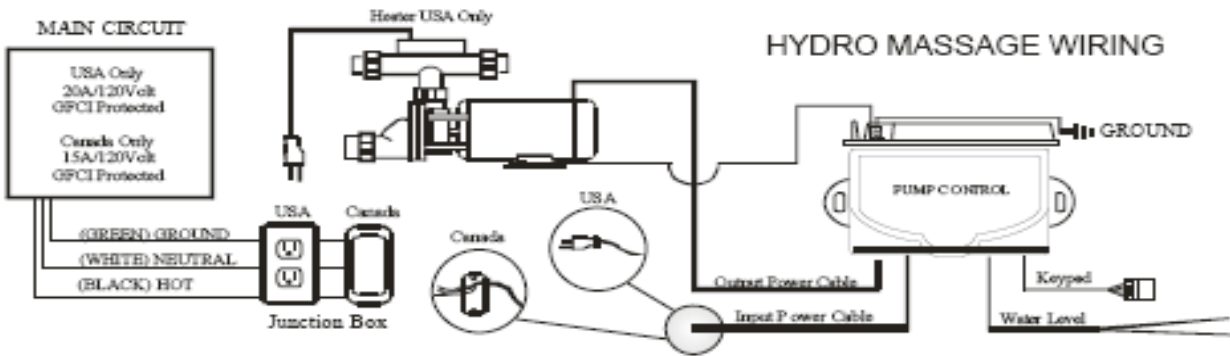


→ **Make sure feet on tub are leveled**

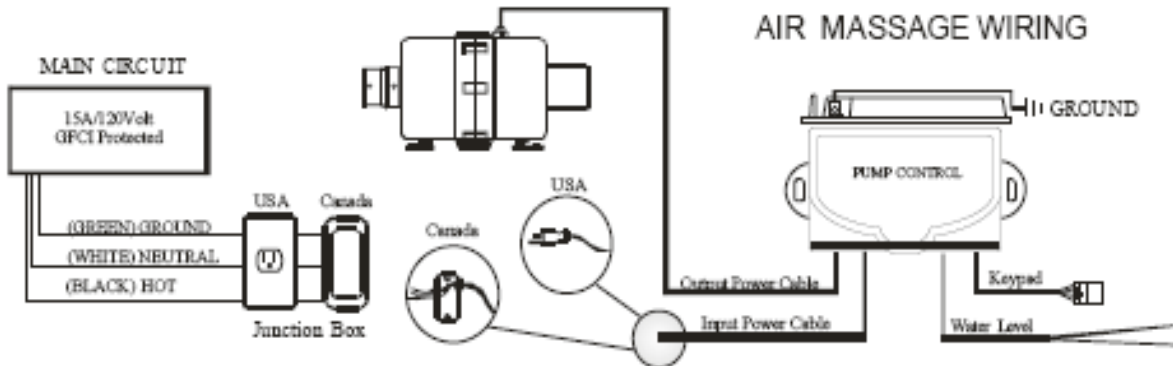
5. Make sure the drain and overflow are connected the proper way.
6. Check to make sure pumps are connected in accordance to the diagrams on the following page.
7. All pumps require one **dedicated** 20 amp, 115 volt circuit GFCI "Ground-Fault Circuit-Interrupter". If you have a dual jetted tub than you need two **dedicated** 20 amp, 115 volt GFCI "Ground-Fault Circuit-Interrupter" circuit for the pump and blower.
8. A qualified service technician must perform all electrical wiring, service and repair in accordance with all applicable local and national codes. Failure to do so may pose an electrical hazard.
9. Before making any electrical connections, make certain that the electrical power is turned **OFF** at the breaker, and take measures to ensure that it **CANNOT** accidentally be turned on again. Any maintenance needed on pump or jets use orange suction cup to remove front panel from the Walk-in Bathtub. **** As Shown on the Next Page ****



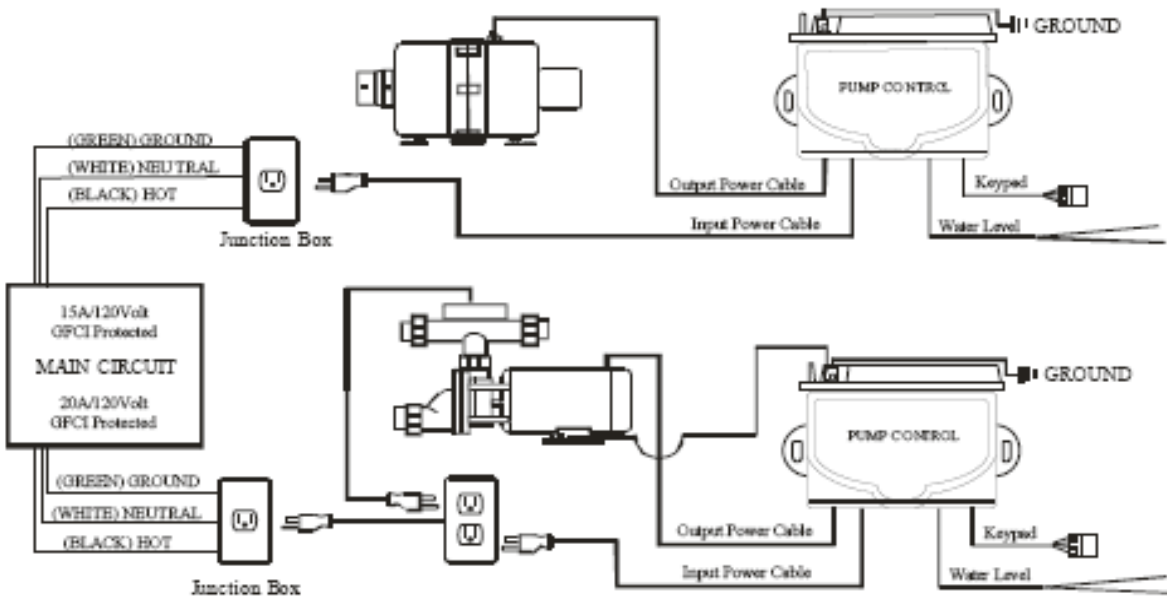
Electrical Diagram: Hydro (Water) Massage System



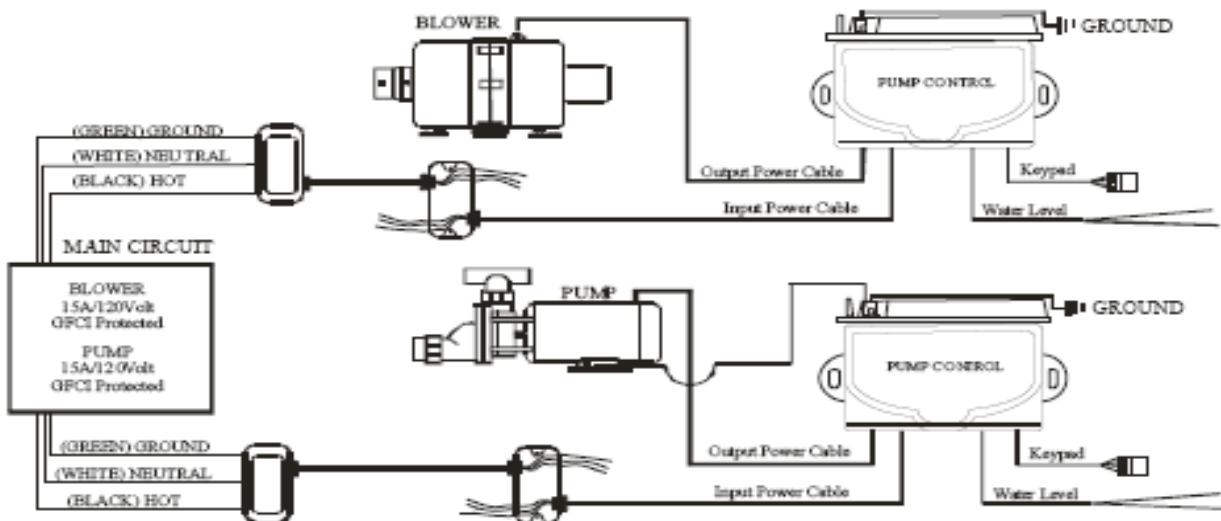
Electrical Diagram: Air Massage System



Electrical Diagram: Hydro & Air Massage System *USA*

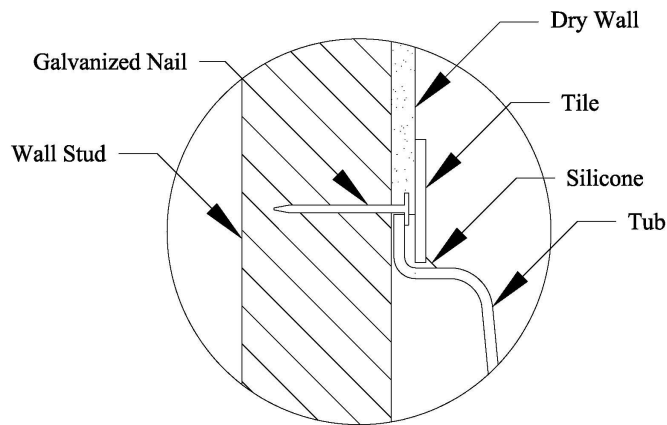


Electrical Diagram: Hydro & Air Massage System *Canada*



INSTALLATION INSTRUCTIONS

1. Install the one-piece faucet. Carefully mark the locations of where you want the faucet to be placed and drill a 1-inch hole for the faucet. Hook up the hot and cold lines with a water heater flex hose adapter that is $\frac{3}{4}$ inches with a female connector. ** Make sure the flex hose has washers on both ends **.
2. Connect the Shower wand to the 1 piece faucet.
3. For “reverse” plumbing, where bathtub is flipped to the opposite hand to enable use where a toilet will be in the way of the bathtub door, the drain plumbing may be run under the bathtub if necessary.
4. Make certain you have a flat surface that can support the combined weight of bathtub and water.
5. Again check if the bathtub is leveled by using a level on both sides of the tub surface and by making sure that all 6 feet are touching the ground.
6. If this option was supplied, attach the extension to the bathtub and caulk the joints.
7. Screw the nailing (either up flange or down flange) to the studs after pre-drilling the screw holes.



8. Before filling the Walk-in Bathtub with water, be sure to wipe down the door seal using a damp, soft cloth as well as the surface in the doorjamb that will come in contact with the seal.
9. Fill the Walk-in Bathtub, and after 5 minutes, check for leaks at all fitting, connections, door hinge and door seal.
10. Turn the pump and /or blower and let it run for at least 5 minutes. Check for leaks while the pump/blower is running and again after it has been turned off. Check by hand where a visual check is not possible.

SAVE THESE INSTRUCTIONS

CARE OF YOUR WALK-IN BATHTUB

Regular care of the bathtub will keep it clean and working at its best. This care should include the bathtub, the trim, and fittings.

POST-INSTALLATION CLEANING

WARNING:

1. Do not, under any circumstances, use wire brushes, metal sponges, knives, steel wool, or scouring pads on any part of the Walk-in Bathtub.
2. Do not, under any circumstances, use powerful solvent such as acetone, lacquer, paint thinner, benzene or abrasive cleanser on any part of the Walk-in Bathtub.
3. Do not use ammonia or chlorine-based agents on any plated surface, as they will de-plate the surface and void the warranty on the plated finish.

For a one time cleaning of the Sanctuary Walk in Tub after installation, proceed as follows:

1. Remove any plaster and/or dabs of paint that have adhered to the surface by gently scraping them off with the sharpened edge of a makeshift spatula fashioned out of wood.
2. Oil or grease spots can be lifted with denatured alcohol.
3. Use liquid, non-bleach dishwashing detergent to remove any construction residue.
4. Lightly rubbing with a liquid cleaning compound (such as polishing compound used for cars), followed by a light application of liquid or paste wax, will restore luster to any dulled surface.
5. Clean plated surfaces with warm water only.

REGULAR CLEANING

Because of the detrimental effects that mineral deposits, soap scum and bacteria have on finished surfaces, it is important to keep your Walk-in Bathtub and the fixtures clean on a regular basis. The best way to counteract the soiling and often time corrosive action of these residues is to prevent water from remaining on any finished surface.

For regular maintenance-type cleaning, proceed as follows once a week:

1. Check for stubborn spots. Oily or greasy spots can be lifted with denatured alcohol.
2. In order to keep the seal and the door jamb clean and free of dirt or debris of any kind, it is very important that the door jamb and the seal to be cleaned with a mild dish washing detergent and warm water using a soft cloth.
3. Wash all exposed surfaces of the Walk-in Bathtub.
4. Rinse and wipe dry.

If your Walk-in Bathtub is equipped with the water jet system, then:

1. Once a month, clean the entire system using liquid automatic dish washing detergent, which will remove body and bath oils, soap residue and other sources that can contribute to bacterial growth in the hydro massage system.

2. Fill the bathtub to one inch above the highest jet and add one spoonful of liquid automatic dish washing detergent, turn on the water jet system for 15 minutes, and then drain the bathtub.
3. Now refill the bathtub with just fresh water and run the system for another 15 minutes to rinse out the system, again drain the bathtub and wipe dry.

OPERATING INSTRUCTIONS FOR YOUR WALK-IN BATHTUB

Your Walk-in Bathtub was specifically designed to deliver dependable operation. All Sanctuary Walk-in Bathtub hydro massage system fittings are manufactured of strong, highly inter brass and PVC materials to prevent water discoloration and ensure long life. The electrical components also conform to all of the applicable safety standards. Each Walk-in Bathtub system is thoroughly tested and inspected before leaving the factory to ensure your continued enjoyment and peace of mind.

An automatic drying cycle that lasts one minute will start 20 minutes after the blower is turned off. There is a spring check valve at each air jet, but should water somehow still get in the lines, particularly when showering in the Walk-in Bathtub, this drying cycle will blow it out.

Do not add any liquids or powders to the water, especially foamy, bubbly, or oily types.

Do not use the Walk-in Bathtub with the hydro massage system activated if you have taken alcohol, drugs, or medication, which can greatly increase the risk of fatal hyperthermia.

Limit your first session to no more than **10 minutes**. Using the too long at an excessively warm temperature for your body may induce hyperthermia.

Hyperthermia occurs when the internal temperature of the body reaches a level above the normal body temperature of 98.6° F (37° C). This level may vary by individuals and conditions. Consult your doctor regarding a safe temperature for your use of the Walk-in Bathtub. The symptoms of hyperthermia include in the internal temperature of the body, dizziness, lethargy, drowsiness and fainting. The effects of hyperthermia are as follows:

1. Failure to perceive heat
2. Failure to recognize the need to exit the hydro massage
3. Unawareness of impending hazard
4. Fetal damage in pregnant women
5. Physical inability to exit the Walk-in Bathtub
6. Unconsciousness resulting in the danger of drowning

If you are pregnant, or you think you may be pregnant, or if you are under a doctor's care, consult your physician for guidelines as to the appropriate water temperature and the duration of each use.

IMPORTANT INSTRUCTIONS

CAUTION: DO NOT OPERATE THE HYDRO MASSAGE SYSTEM WITH ANY PARTS OR FITTINGS REMOVED.

1. Use this unit only for its intended use as described in this manual. Do not use attachments not recommended by the manufacturer. Any improper installation or misuse of the equipment may result in injury to user and will void the warranty.
2. **Do not** use the door as support while entering or exiting the hydro massage Walk-in Bathtub, as the door may swing suddenly with applied weight.

3. Because of the risk of hypothermia and drowning, **do not** use the hydro massage bathtub after strenuous exercise.
4. Because of the risk of electric shock, no appliances should be within five (5) feet (1.5 meters) of the Walk-in Bathtub i.e. hair dryer, lamp, TV, radio, etc.
5. **Do not** open the door until all water has been drained from the Walk-in Bathtub.

DOOR SEAL AND DOOR LEAKS

If a small leak has been detected around the Walk-in Bathtub door, check closely for any accumulation of dirt or debris. Any small collection of either on the door seal or where the seal comes in contact with the doorjamb could result in a minor leak through the door seal:

1. Before filling the Walk-in Bathtub with water, be sure to wipe down the door seal using a damp, soft cloth, as well as the surface on the doorjamb that will come in contact with the seal.
2. Once the above surfaces have been wiped clean, be sure that when closing the door, the latch is completely locked down.
NOTE: when draining the water from the Walk-in Bathtub, be sure that the door latch is in the locked position (forward). If the latch is not secure when draining the Walk-in Bathtub, as the water level lowers, the pressure on the door will be reduced, thus increasing the possibility of a leak around the door.
3. It is especially **IMPORTANT** to wipe down the door seal and doorjamb after each use in order to maintain the integrity of the seal.
NOTE: if there are any contaminants, i.e. dirt, dust, sand, etc. or the buildup of soap scum, calcium, etc. on the seal and/or the doorjamb, it will have an effect on the integrity of the water seal.
4. If the above steps fail to stop any minor leaks, you may adjust the door latch by using the supplied 1/8" hex key.

GASKET REPLACEMENT INSTRUCTIONS

1. Remove damaged gasket from tub.
2. Wipe Tub surface clean from any residue and make sure surface is dry before applying new gasket.
3. Slowly remove paper backing from the replacement gasket (***IMPORTANT *** remove only a few inches of the backing at a time) and apply around the tub starting 1 ½ inches from the top of the tub and ¼ inches from the inside opening of the tub.
4. Let the new gasket sit for 24 hours before using tub to insure proper adhesion.



CERTIFICATE OF GAURANTEE

This Certificate confirms the 25 years guarantee on our Walk-in Bathtub

AmeriGlide offers this 25-year warranty to the first user to ensure that the walk-in tub is free from defects in workmanship and material under normal use and conditions for the life of the first user from the date of the original purchase. This warranty relates only to the walk-in bathtubs. Different warranty periods apply to all fittings and components included with the Tub & Shower from the manufacturer. All the components (faucet, shower assembly, drain assembly and air pump, water pump, of the walk in bathtub are guaranteed for one year including parts and labor. After the initial one year, you will get 2 years guarantee on the components of the walk in tub including parts only. The Bathtub warranty does not apply to fading, cracking, delaminating or blistering due to excessive wear, sun fading or scouring due to cleaning. This warranty is not transferable and applies only to the original owner.

AmeriGlide will not be responsible for any water damage to structures or property for any reason including but not limited to manufacturer defects or improper installation. AmeriGlide will assume no responsibility for the loss of the system, inconvenience due to loss, damage to real or personal property or any other consequential damage. AmeriGlide will not be liable for any incidental expenses or material charges in connection with removal or replacement of the purchased part or any part, or any part of the systems.

This warranty shall not apply to any type of failure resulting from negligence, abuse, misuse, misapplication, improper installation, alteration or modification, chemical corrosion or improper maintenance. There will be a charge for replacement parts or replacement of the entire electrical unit if returned for any reasons listed above after three years. NOTE: within the limited warranty period, there will be pro rated charges for any electrical and plated replacement parts, including shipping and handling charges.

AmeriGlide does not warrant the installation of any of our products including all plumbing or electrical related connections, improper or negligent installation of the product of other components, any alterations made of, or alterations or modifications to the system, which may cause the product or system to malfunction. Such problems are not covered by this warranty.

AmeriGlide warrants the door seal for the life of the first user under normal use and conditions. This warranty shall not apply to any failure resulting from negligence, abuse, misuse, misapplication, alteration, or modification or improper maintenance. The manufacturer will not be liable for any incidental expenses or material changes in connection with removal or replacement of door seal.

Upon receipt of this signed warranty by AmeriGlide this warranty will be activated. Please keep for your records and contact us if a claim is needed.